

ART. B224 AE

SELF-EXTINGUISHING VO FIXED HANDLE WITH THROUGH-HOLE

UL94-VO

MATERIAL:
Self-extinguishing reinforced polyamide UL94-VO with yellow card.
Oils and greases resistant.

SURFACE:
Satin.

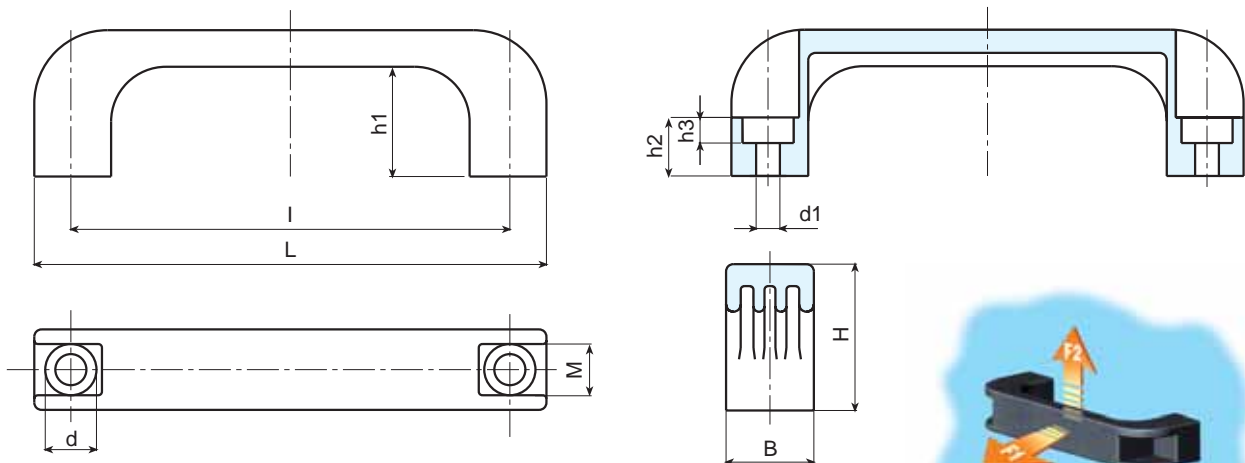
COLOUR:
Black (RAL 9011).

HOLE:
Smooth right through hole obtained by moulding the plastic.



SPECIAL REQUESTS:

- It is possible to supply colours as shown in the table at page 19, on request and for quantities.



Art.	L	I	B	M	H	h1	h2	h3	d	d1	Weight (gr)	F1 (N)	F2 (N)
B224094.TG06.501AE	110	94	21	13	37	29	13	7	11	6,5	22	2500	1250
B224117.TG06.501AE	140	117	24	13	40	29	15	7	14	6,5	43	4400	3000
B224117.TG08.501AE	140	117	24	13	40	29	15	9	14	8,5	39	4400	3000
B224120.TG06.501AE	140	120	24	14	40	29	15	7	14	6,5	42	4800	3200
B224120.TG08.501AE	140	120	24	14	40	29	15	9	14	8,5	39	4800	3200
B224132.TG08.501AE	151	132	26	14	43	31	16	9	14	8,5	63	3400	3200
B224180.TG08.501AE	200	180	28	17	51	39	21	9	14,5	8,5	74	4000	3000
B224235.TG10.501AE	262	235	32	20	53	40	21	11	17	10,5	123	3800	3000

BRIDGE HANDLES

ART. B226 AE

SELF-EXTINGUISHING FIXED HANDLE WITH THREADED INSERT

UL94-VO

MATERIAL:
Self-extinguishing reinforced polyamide UL94-VO with yellow card.
Oils and greases resistant.

SURFACE:
Satin.

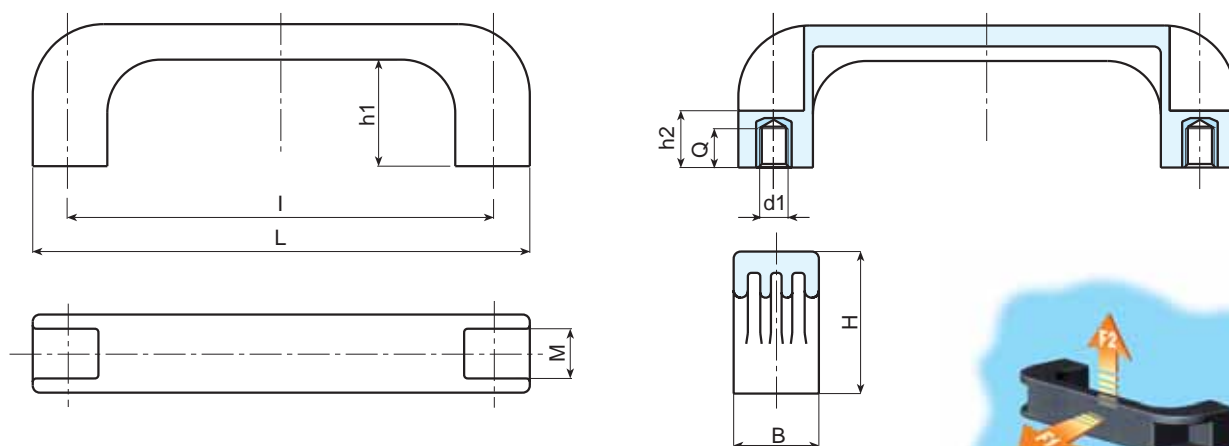
COLOUR:
Black (RAL 9011).

MAIN INSERT:
Brass blind threaded bush.



SPECIAL REQUESTS:

- It is possible to supply the inserts in different materials, on request and for quantities.
- It is possible to supply colours as shown in the table at page 19, on request and for quantities.



Art.	L	I	B	M	H	h1	h2	Q	d1	Weight (gr)	F1 (N)	F2 (N)
B226094.TM0501AE	110	94	21	13	37	29	13	7	M5	23	4300	1300
B226094.TM0601AE	110	94	21	13	37	29	13	7	M6	23	4300	1300
B226117.TM0501AE	140	117	24	13	40	29	15	10	M5	43	4100	2800
B226117.TM0601AE	140	117	24	13	40	29	15	9	M6	43	4100	2800
B226117.TM0801AE	140	117	24	13	40	29	15	9	M8	43	4100	2800
B226120.TM0501AE	140	120	24	14	40	29	15	10	M5	43	6100	2800
B226120.TM0601AE	140	120	24	14	40	29	15	9	M6	43	6100	2800
B226120.TM0801AE	140	120	24	14	40	29	15	9	M8	43	6100	2800
B226132.TM0501AE	151	132	26	14	43	31	16	10	M5	70	7300	3500
B226132.TM0601AE	151	132	26	14	43	31	16	9	M6	70	7300	3500
B226132.TM0801AE	151	132	26	14	43	31	16	9	M8	70	3700	2800
B226180.TM0801AE	200	180	28	17	51	39	21	14	M8	88	3700	2800
B226235.TM0801AE	262	235	32	20	53	40	21	14	M8	123	4300	3200
B226235.TM1001AE	262	235	32	20	53	40	21	14	M10	123	4300	3200

ART. B236 AE

SELF-EXTINGUISHING SOLID HANDLE WITH THREADED INSERT

UL94-VO

MATERIAL:
Self-extinguishing reinforced polyamide UL94-VO with yellow card.
Oils and greases resistant.

SURFACE:
Satin.

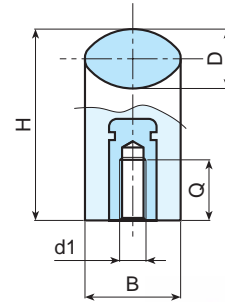
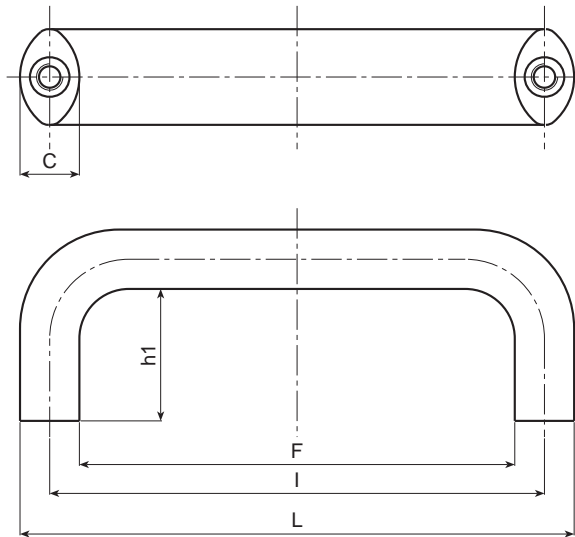
COLOUR:
Black (RAL 9011).

MAIN INSERT:
Brass blind threaded bush.



SPECIAL REQUESTS:

- It is possible to supply the inserts in different materials, on request and for quantities.
- It is possible to supply colours as shown in the table at page 19, on request and for quantities.



Art.	L	I	F	B	C	D	H	h1	Q	d1	Weight (gr)	F1 (N)	F2 (N)
B236086.TM0501AE	98,5	86	73,5	20	12,5	12,5	40	28	10	M5	40	4000	1500
B236086.TM0601AE	98,5	86	73,5	20	12,5	12,5	40	28	9	M6	40	4000	1500
B236094.TM0501AE	106,5	94	81,5	20	12,5	12,5	40	28	10	M5	40	3300	1600
B236094.TM0601AE	106,5	94	81,5	20	12,5	12,5	40	28	9	M6	40	3300	1600
B236117.TM0501AE	134	117	102	25	16	16	50	34	10	M5	84	4400	1800
B236117.TM0601AE	134	117	102	25	16	16	50	34	9	M6	81	4400	1800
B236117.TM0801AE	134	117	102	25	16	16	50	34	14	M8	80	4400	1800
B236120.TM0501AE	134	120	102	25	16	16	50	34	10	M5	84	5200	2400
B236120.TM0601AE	134	120	102	25	16	16	50	34	9	M6	81	5200	2400
B236120.TM0801AE	134	120	102	25	16	16	50	34	14	M8	80	5200	2400
B236132.TM0501AE	148	132	116	25	16	16	50	34	10	M5	90	3700	2600
B236132.TM0601AE	148	132	116	25	16	16	50	34	9	M6	88	3700	2600
B236132.TM0801AE	148	132	116	25	16	16	50	34	14	M8	85	3700	2600
B236150.TM0601AE	168	150	132	29	18	18	58	40	15	M6	123	5900	1900
B236150.TM0801AE	168	150	132	29	18	18	58	40	14	M8	121	5900	1900
B236150.TM1001AE	168	150	132	29	18	18	58	40	14	M10	119	5900	1900
B236179.TM0801AE	197	179	161	29	18	18	58	40	14	M8	135	3800	3200
B236179.TM1001AE	197	179	161	29	18	18	58	40	14	M10	133	3800	3200



BOTECA