

ART. B324

“EUROMODEL” BRIDGE HANDLE WITH THROUGH HOLE

MATERIAL:
Reinforced polyamide.
Oils and greases resistant.

SURFACE:
Satin.

COLOUR:
Black (RAL 9011).

CENTRAL CAP:
Grey polyamide (RAL 7035 code 13).

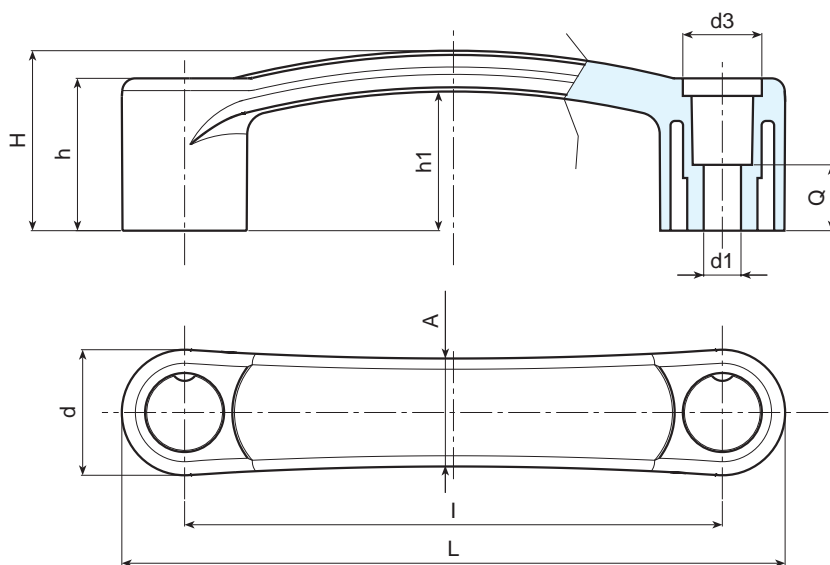
ALTERNATIVE CAP COLOUR:
Orange (RAL 2004 cod. 02).
Blue (RAL 5015 cod. 07).
Yellow (RAL 1021 cod.10).
Red (RAL 3000 cod.16).
Green (RAL 6024 cod.17).
Black (RAL 9011 cod. 01).

HOLE :
Smooth right through hole obtained by moulding the plastic.

SPECIAL REQUESTS:

- It is possible to supply colours as shown in the table at page 19, on request and for quantities.

PROTECTED MODEL



| Art. | L | I | H | h | h1 | A | d | d3 | d1 | Q | Weight (gr) | F1 (N) | F2 (N) |
|---------------------|-----|-----|------|------|------|----|----|----|-----|----|-------------|--------|--------|
| B324094.TG06.50113 | 118 | 94 | 37 | 33 | 30 | 21 | 24 | 16 | 6,5 | 14 | 37 | - | - |
| B324117.TG06.50113 | 145 | 117 | 40,5 | 34 | 31,5 | 24 | 28 | 18 | 6,5 | 15 | 58 | - | - |
| B324117.TG08.50113 | 145 | 117 | 40,5 | 34 | 31,5 | 24 | 28 | 18 | 8,5 | 15 | 57 | - | - |
| B324120.TG06.50113 | 148 | 120 | 40,5 | 34 | 31,5 | 24 | 28 | 18 | 6,5 | 15 | 60 | - | - |
| B324120.TG08.50113 | 148 | 120 | 40,5 | 34 | 31,5 | 24 | 28 | 18 | 8,5 | 15 | 59 | - | - |
| B324132.TG08.50113 | 160 | 132 | 43 | 36,5 | 34 | 24 | 28 | 18 | 8,5 | 15 | 91 | - | - |
| B324150.TG08.50113* | 180 | 150 | 48 | 41 | 38 | 25 | 30 | 20 | 8,5 | 15 | - | - | - |
| B324179.TG08.50113* | 209 | 179 | 53 | 44 | 41 | 25 | 30 | 20 | 8,5 | 15 | - | - | - |

*planned

ART. B326

“EUROMODEL” BRIDGE HANDLE WITH THREADED INSERT

MATERIAL:
Reinforced polyamide.
Oils and greases resistant.

SURFACE:
Satin.

COLOUR:
Black (RAL 9011).

CENTRAL CAP:
Grey polyamide (RAL 7035 code 13).

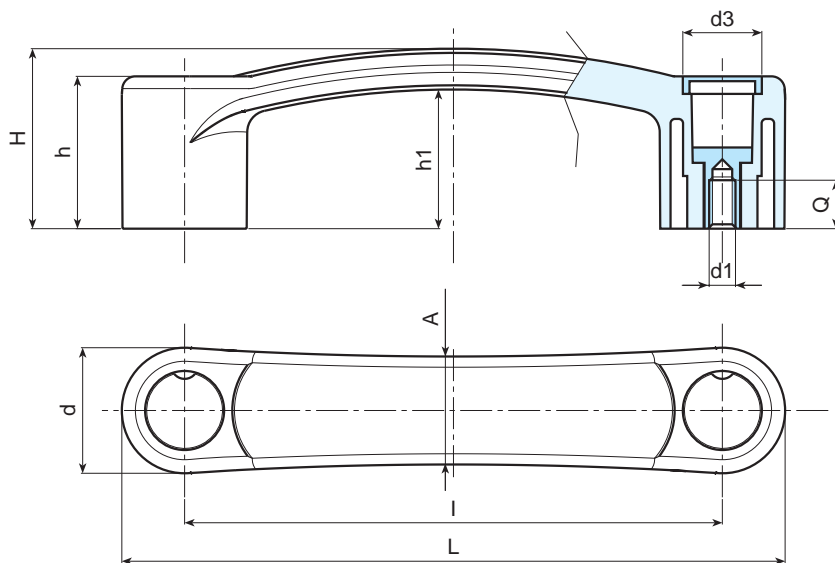
ALTERNATIVE CAP COLOUR:
Orange (RAL 2004 cod. 02).
Blue (RAL 5015 cod. 07).
Yellow (RAL 1021 cod.10).
Red (RAL 3000 cod.16).
Green (RAL 6024 cod.17).
Black (RAL 9011 cod. 01).

MAIN INSERT:
Brass blind threaded bush.

SPECIAL REQUESTS:

- It is possible to supply the inserts in different materials, on request and for quantities.
- It is possible to supply colours as shown in the table at page 19, on request and for quantities.

PROTECTED MODEL



| Art. | L | l | H | h | h1 | A | d | d3 | d1 | Q | Weight (gr) | F1 (N) | F2 (N) |
|-------------------|-----|-----|------|------|------|----|----|----|-----|----|-------------|--------|--------|
| B326094.TM050113 | 118 | 94 | 37 | 33 | 30 | 21 | 24 | 16 | M05 | 14 | - | - | - |
| B326094.TM060113 | 118 | 94 | 37 | 33 | 30 | 21 | 24 | 16 | M06 | 14 | - | - | - |
| B326117.TM050113 | 145 | 117 | 40,5 | 34 | 31,5 | 24 | 28 | 18 | M05 | 15 | - | - | - |
| B326117.TM060113 | 145 | 117 | 40,5 | 34 | 31,5 | 24 | 28 | 18 | M06 | 15 | - | - | - |
| B326117.TM080113 | 145 | 117 | 40,5 | 34 | 31,5 | 24 | 28 | 18 | M08 | 15 | - | - | - |
| B326120.TM050113 | 148 | 120 | 40,5 | 34 | 31,5 | 24 | 28 | 18 | M05 | 15 | - | - | - |
| B326120.TM060113 | 148 | 120 | 40,5 | 34 | 31,5 | 24 | 28 | 18 | M06 | 15 | - | - | - |
| B326120.TM080113 | 148 | 120 | 40,5 | 34 | 31,5 | 24 | 28 | 18 | M08 | 15 | - | - | - |
| B326132.TM080113 | 160 | 132 | 43 | 36,5 | 34 | 24 | 28 | 18 | M08 | 15 | - | - | - |
| B326150.TM080113* | 180 | 150 | 48 | 41 | 38 | 25 | 30 | 20 | M08 | 15 | - | - | - |
| B326179.TM080113* | 209 | 179 | 53 | 44 | 41 | 25 | 30 | 20 | M08 | 15 | - | - | - |

*planned

