

# ART. M129 CIN

## REVOLVING HANDLE WITH STAINLESS STEEL HEXAGON SOCKET HEAD STUD

**INOX**

**MATERIAL:**  
Reinforced polyamide.  
Oils and greases resistant.

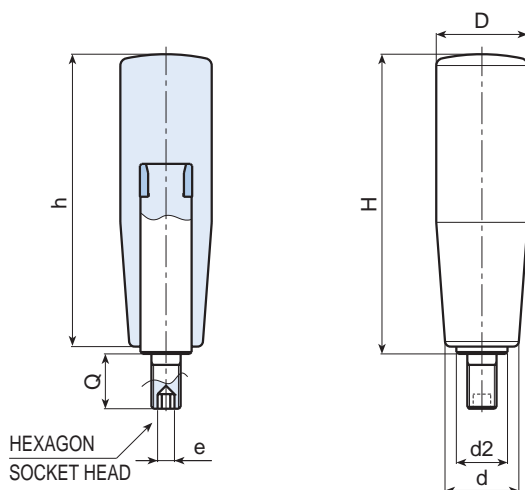
**SURFACE:**  
Satin.

**COLOUR:**  
Black (RAL 9011).

**REVOLVING INSERT:**  
Threaded stud stainless steel (AISI 303) with hexagon socket head and brass ring.

**SPECIAL REQUESTS:**

- It is possible to supply colours as shown in the table at page 29, on request and for quantities.



Art.	H	D	h	d	d1	d2	e	Q	Weight (gr)
M12950.TM06X1201CIN	52	20	51	16	M06	11	3	12	42
M12960.TM06X1201CIN	62	23	60	18	M06	11	3	12	54
M12960.TM08X1501CIN	62	23	60	18	M08	11	4	15	60
M12970.TM08X1501CIN	72	25	70	19	M08	14	4	15	92
M12970.TM10X1501CIN	72	25	70	19	M10	14	5	15	94
M12980.TM08X1501CIN	81	25	79	20	M08	14	4	15	98
M12980.TM10X1501CIN	81	25	79	20	M10	14	5	15	104
M12980.TM12X1501CIN	82	26	81	20	M12	14	5	15	104
M12990.TM10X1501CIN	93	27	90	22,5	M10	14	5	15	118
M12990.TM12X1501CIN	93	27	90	22,5	M12	14	5	15	120



**BOTECA**