

**ART. M229 CIN**

**“EUROMODEL” REVOLVING HANDLE WITH STAINLESS STEEL HEXAGON SOCKET HEAD STUD**

**INOX**



**MATERIAL:**  
Reinforced polyamide.  
Oils and greases resistant.

**SURFACE:**  
Satin.

**COLOUR:**  
Black (RAL 9011).

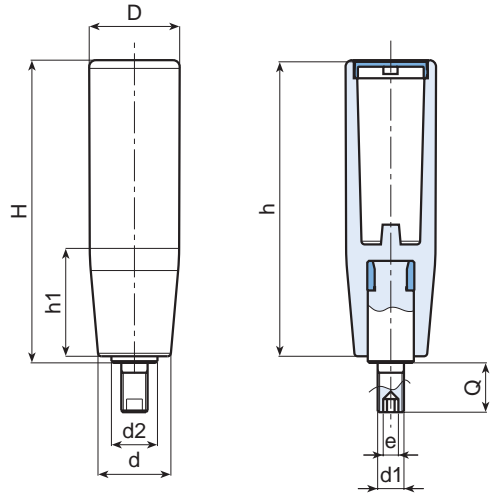
**CENTRAL CAP:**  
Grey ABS (RAL 7035 code 13).

**ALTERNATIVE CAP COLOUR:**  
Orange (RAL 2004 cod. 02).  
Blue (RAL 5015 cod. 07).  
Yellow (RAL 1021 cod. 10).  
Red (RAL 3000 cod. 16).  
Green (RAL 6024 cod. 17).  
Black (RAL 9011 cod. 01).

**REVOLVING INSERT:**  
Threaded stud stainless steel (AISI 303) with hexagon socket head and brass ring.

**SPECIAL REQUESTS:**

- It is possible to supply colours as shown in the table at page 29, on request and for quantities.



Art.	H	D	d	d2	e	h	h1	d1	Q	Weight (gr)
M22990.TM10X150113CIN	91,5	27	22	14	5	89,5	32	M10	15	78
M22990.TM12X150113CIN	91,5	27	22	14	5	89,5	32	M12	15	82