

ART. M245 CIN

“EUROMODEL” REVOLVING HANDLE WITH STAINLESS STEEL RING NUT

INOX

MATERIAL:
Reinforced polyamide.
Oils and greases resistant.

SURFACE:
Satin.

COLOUR:
Black (RAL 9011).

CENTRAL CAP:
Grey ABS (RAL 7035 code 13).

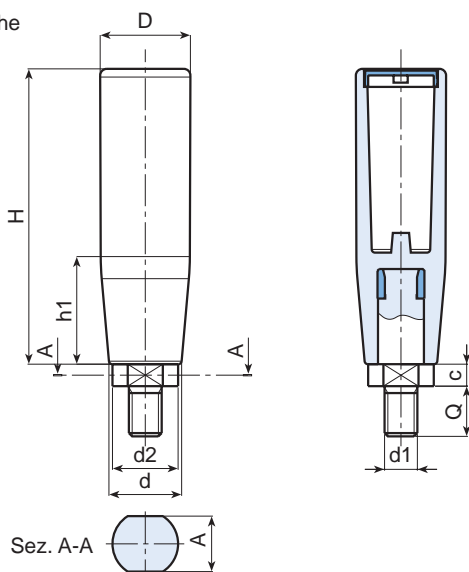
ALTERNATIVE CAP COLOUR:
Orange (RAL 2004 cod. 02).
Blue (RAL 5015 cod. 07).
Yellow (RAL 1021 cod. 10).
Red (RAL 3000 cod. 16).
Green (RAL 6024 cod. 17).
Black (RAL 9011 cod. 01).

REVOLVING INSERT:
Stainless steel (AISI 303) threaded stud with ring brass nut and wrench seat.



SPECIAL REQUESTS:

- It is possible to supply colours as shown in the table at page 29, on request and for quantities.



Art.	H	D	d	d2	A	c	h1	d1	Q	Weight (gr)
M24590.TM10X150113CIN	89,5	27	22	20	17	7	32	M10	15	89
M24590.TM12X150113CIN	89,5	27	22	20	17	7	32	M12	15	89